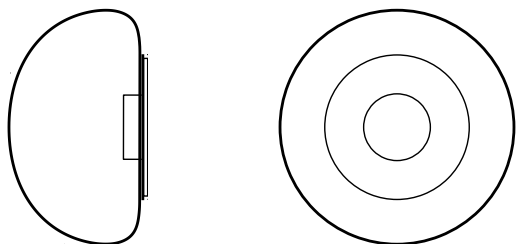


# olew drops

Design by  
Boris Klimek



bomma

[bomma.cz](http://bomma.cz)

TECHNICAL SHEET  
FOR WALL & CEILING LIGHT FIXTURES

# DEW DROPS

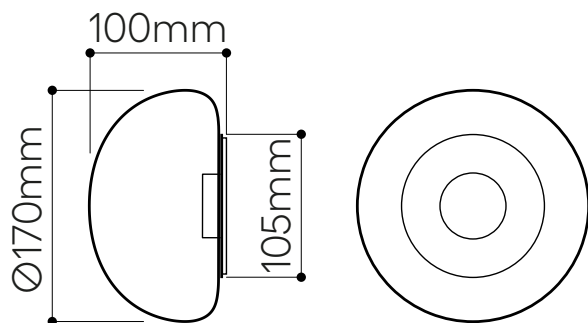
## wall & ceiling medium

Design by  
Boris Klimek

### Handmade glass attributes

All Bomma products are hand-made from mouth-blown lead-free crystal. Therefore any small bubbles, non-melts and irregularities in the glass are both proof and a characteristic feature of this traditional craft.

The intensity and color shade of the iridescent metal-coating may vary slightly from product to product. Small dots in the coating, especially visible after the light is on, are not a defect of the product.



### LIGHTING DESCRIPTION

Size	dia 170 mm, H 100 mm dia 6,69 inch, H 3,93 mm
Weight	+/- 0,7 kg / 1,54 lb
Glass	mouth-blown lead-free crystal with iridescent metal coating
Mounting	silver mirror
Protection	IP 20
Nominal voltage	220-240V / A.C. 50-60 Hz (EU) 110-120 V / A.C. 60 Hz (USA)
Class	II. EU / I. USA

### LIGHT SOURCE

Type	LED MCOB, 6 W (+/-5%), 200 mA, 600 lm
Voltage	Vtyp 30-42V DC, I <sub>max</sub> 250 mA
Temperature	2700 K
Color index	RA 90+
Dimming	Dimmable with TRIAC, DALI

### PACKAGING

Material	Cardboard
Size	230 x 220 x 220 mm 9 x 8,6 x 8,6 inch

Origin: traditionally produced in the Czech Republic  
Intellectual property license holder: Bomma Czech Republic (EU)  
Represented by BMRC group s.r.o.

CERTIFICATES

